



## ALUTECNIC RETRACTABLE ROOF SYSTEM

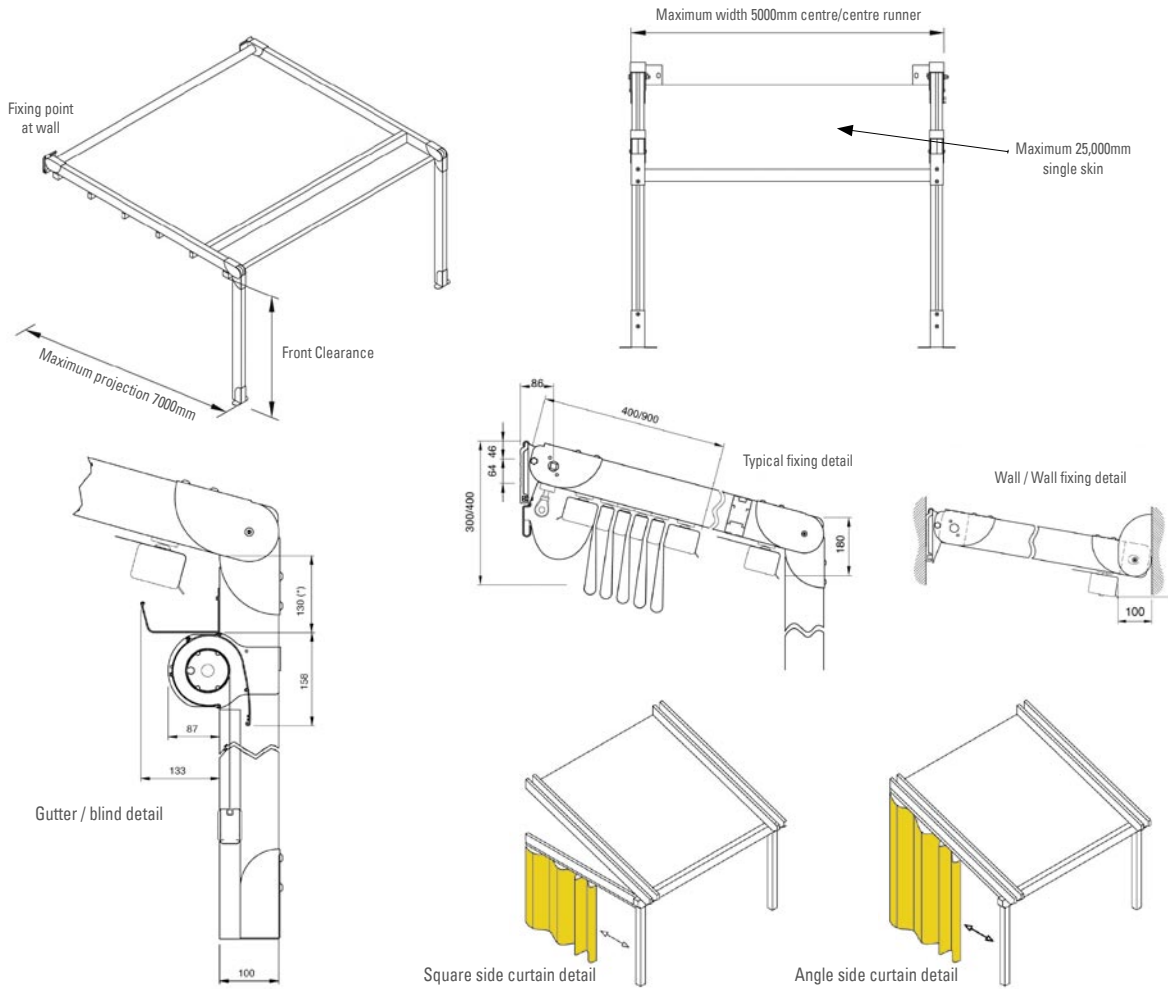
The Alutecnic Retractable Roof System is an intelligent solution which provides optimum protection against sun, wind and rain, specifically designed for hospitality, commercial and quality residential projects.

- ▶ Engineered and build to last, the Alutecnic Retractable Roof System is European designed and manufactured.
- ▶ Employing a patented fabric tensioning system, Alutecnic has been wind tested to 90km/hr.
- ▶ A simple press of a button will retract or extend the motorised Alutecnic System.
- ▶ Clean appearance allows for Alutecnic to blend naturally with all environments and to be integrated into a range of design styles from minimalist modern to traditional.
- ▶ Extensive range of design options are available including: heating, lighting, external blinds and integrated guttering system.



# ALUTECNIC RETRACTABLE ROOF SPECIFICATIONS

Please note illustrations are not to scale. All measurements are in millimetres. Please contact your Viva Sunscreens representative for additional information.



Outside square curtain & Shy zip blind / lights



Inside angle curtain / blind detail



Runner / column connection



Shy zip blind detail

SIZES	
WIDTH & PROJECTION	Max. width 25m - Max. projection 7m (15m projection fixing to existing structure)
OPERATION	
TYPE	Motorised / Manual
HARDWARE	
MATERIAL	All components made from non corrosive materials, including 316 stainless steel connectors & bolts. 6061 grade extruded aluminium support frame (available in over 200 colours)
FABRIC OPTIONS	
	Reinforced high tensility polyester core PVC (Precontrant Ferrari 602 + 302)
	Ferrari Soltis 86/92 reinforced high tensility polyester core sunscreens
	Marine grade acrylic (Dickson Orchestra)
CONTROL OPTIONS	
Lights	Integrated lighting modules
	Integrated electric radiant heat panels
	Integrated self zipping motorised blinds & curtains
	Integrated drainage system

Call for your nearest Viva Sunscreens Showroom or Representative

Australia: 1300 782 878 New Zealand: 0800 848 278 products@vivasunscreens.com www.vivasunscreens.com