




VERATEX DROP ARM AWNING SYSTEM

Flexibility coming your way may possibly be the unique Veratex Drop Arm Awning System - Intelligently designed to track the sun's movement while the angular shape will assist with the overall geometry of your facade.

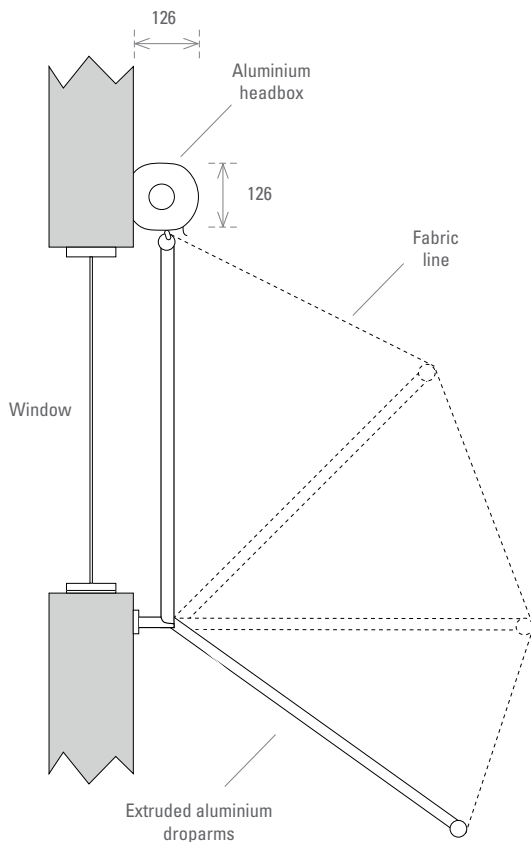
- ▶ Compact and elegant semi-round or square cassette design ensures the fabric is completely protected from the harsh environment whilst the awning is not in use.
- ▶ The heavy-duty arm assembly uniquely moves outwards from the headbox while pivoting from the fixing point, this clever design efficiently tracks the sun's movement, without hindering operation of your windows.
- ▶ All components are manufactured from drop-forged aluminium, 6061 extruded aluminium, and marine grade 316 stainless steel fixings, all with a superior double baked enamel powder coat finish.
- ▶ Our textiles offer the very best compromise between visibility and light transmission while providing incomparable weather resistance and ease of maintenance.
- ▶ The Veratex Drop Arm Awning System utilises the latest German Engineering techniques and is ISO 9001 safety tested by German TUV (Product Safety Certification) made in Germany.  MADE IN GERMANY



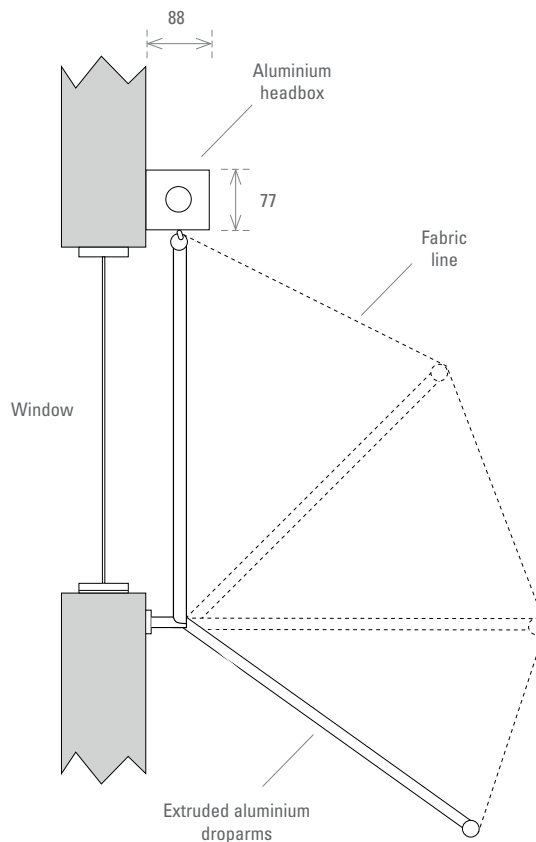
VERATEX DROP ARM AWNING SYSTEM SPECIFICATIONS

Please note illustrations are not to scale. All measurements are in millimetres. Please contact your Viva Sunscreens representative for additional information.

MODEL: VERATEX H-F



MODEL: VERATEX K-F



		VERATEX H-F	VERATEX K-F
SIZES			
WIDTH		Max 4500mm	Max 2000mm
PROJECTION		Max 1500mm	Max 1500mm
COLOURS			
STANDARD		White/Anodised/Brown	White/Anodised/Brown
OPTIONAL		Max 3 standard	3 standard colours
OPERATION			
ELECTRICAL		Crank mechanism or remote	Crank mechanism or remote
ARMS			
MATERIAL		Powder coated 6061	Powder coated 6061
HEAD BOX			
MATERIAL		Powder coated 6061	Powder coated 6061
SIZE		126mm x 126mm	88mm x 77mm
TOP ROLLER			
MATERIAL		Extruded aluminium	Extruded aluminium
DIAMETER		78mm	40mm
FRONT BAR			
MATERIAL		Powder coated 6061	Powder coated 6061
DIAMETER		40mm	40mm
MOUNTING BRACKETS			
MATERIAL		Drop forged aluminium	Drop forged aluminium
FABRIC			
MARINE GRADE ACRYLIC SUNSCREEN MESH		Dickson Constant Oxygen 55-515	Dickson Constant Oxygen 55-515
STANDARD COLOUR OPTIONS OR CUSTOM COLOUR ON REQUEST		White/RAL 9016	Anodised
			Brown/RAL 8019

P 1300 78 28 78

E products@vivasunscreens.com

Sydney Awning Centre:

1/6 Herbert Street, St. Leonards, NSW 2065

Melbourne Awning Centre:

393 Swan Street, Richmond, Victoria 3121